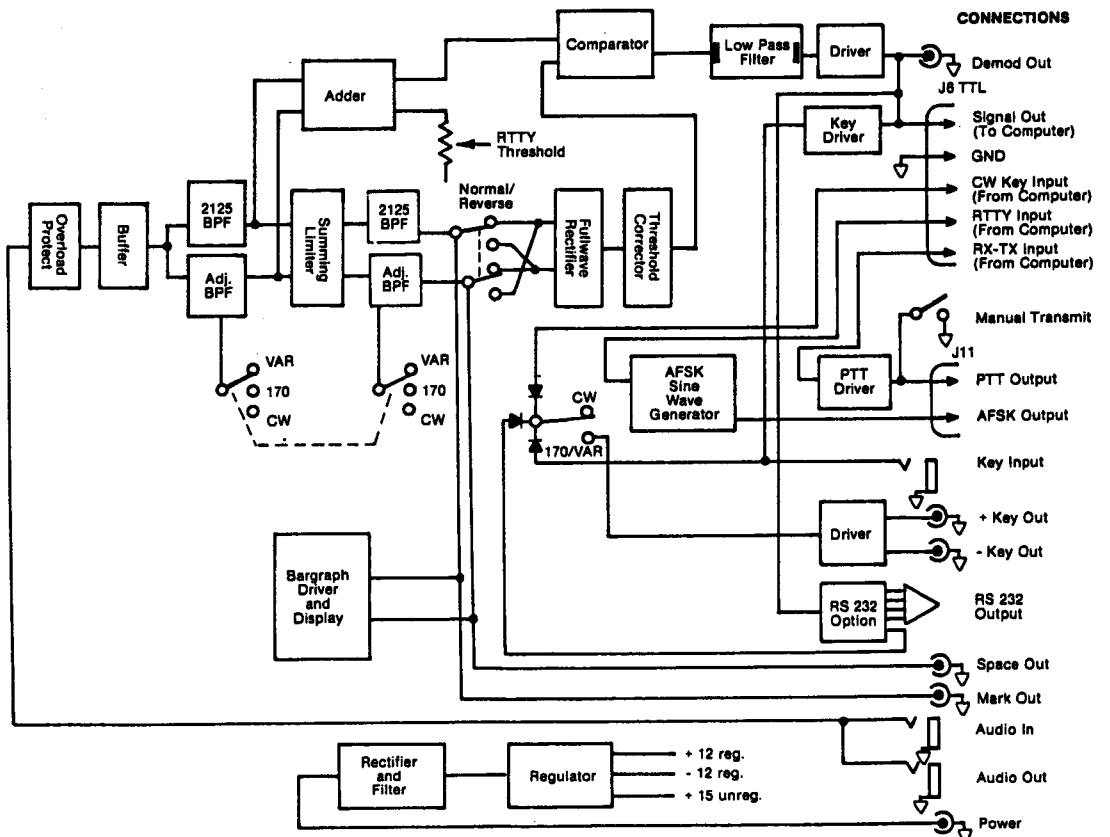


IN CASE OF DIFFICULTIES

If, after re-reading this manual, you are having difficulties, a telephone call to the factory Customer Service Department will likely provide a quick answer to your problems. Before calling the factory, try to have the CP-1 in operation near the telephone so that our technician can talk you through the problems. Our telephone number is (206) 775-7373. Office hours are 0800 to 1630 Pacific Time Zone.



BLOCK DIAGRAM CP-1