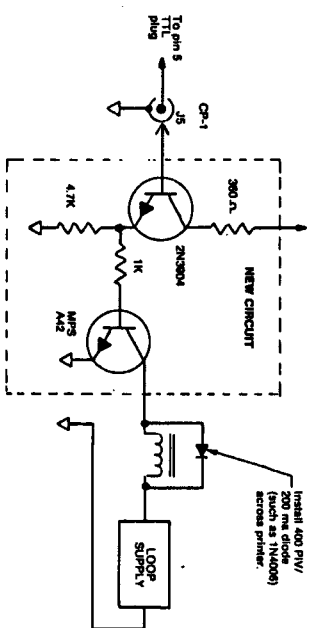


## APPENDIX "A"

### USING MECHANICAL TELETYPE PRINTERS WITH THE CP-1

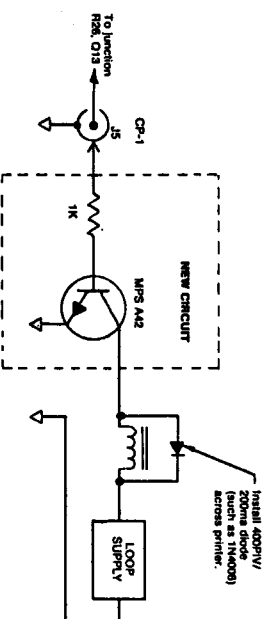
The CP-1 can be used to drive a model 15, 19, 28, or 32 standard teletype machine as a printer for 60 WPM Baudot teletype operation. The CP-1 does not perform any software code or speed conversions. Use one of two possible modifications. The first modification is for CP-1 serial numbers below 1100. The second modification is for serial numbers 1100 and above.

#### MODIFICATION #1: (for CP-1 serial numbers BELOW 1100)



We recommend that you build the circuit onto a small "perf board" that you can mount inside a small chassis (external from the CP-1). If you do not have a +12V source available, we would recommend the AEA model AC-1 power supply.

#### MODIFICATION #2: (for CP-1 serial numbers 1100 and ABOVE)



We also recommend that you build this circuitry on a small "perf board" that you can mount outside the CP-1 chassis. No external power source is required as in modification #1.

REFERENCE	VALUE
R50	Resistor 1/4w. 5% 150
R9, 82, 100*	Resistor 1/4w. 5% 1.6k
R105, 13	Resistor 1/4w. 5% 15k
R107	Resistor 1/4w. 5% 130
R86, 128	Resistor 1/4w. 5% 12k
R88	Resistor 1/4w. 5% 11k
R68, 66, 63, 64	Resistor 1/4w. 5% 100k
R2, 26, 46, 49, 27, 67, 72, 70, 69,	Resistor 1/4w. 5% 10k
83, 84, 103, 112, 95, 120, 127, 123*	Resistor 1/4w. 5% 1k
R121*, 122*	Resistor 1/4w. 5% 27k
R102, 110	Resistor 1/4w. 5% 47k
R124*	Resistor 1/4w. 5% 2.7k
R73, 75, 116	Transistor PNP MPSA92
Q8	Transistor NPN MPS6561
Q9	Transistor NPN MPSA42
Q7	Transistor NPN 2N3904
Q2, 11, 6, 4, 3, 10, 1, 13, 12*	LED ARRAY 10 SEG BARGRAPH
DS1	Diode LED MV5025
DS2	Diode Power 1N4006
D20, 21	Diode Power 1N4003
D1, 2, 22	Diode Signal 1N4448/1N4148
D3-19, 23-28, 29*	Pot Trim 5k
R87, 89	Pot Trim 500
R18, 39, 10, 34, 12, 94, 118	Pot Trim 10k
R92	Pot trim 25k
R93	Pot Trim 1k
R8, 31, 74	Pot 2Gang 1k-1k
R7, 30	I.C. LED Ladder TL487
U15	I.C. Function Gen. XR2206
U14	I.C. Dual Bi-Fet XRO-82
U3-11	I.C. REGULATOR 7912
U2	I.C. REGULATOR 7812
U1	I.C. 75150
U12*	I.C. 75150
U13*	I.C. 75152

\*RS232 Option